

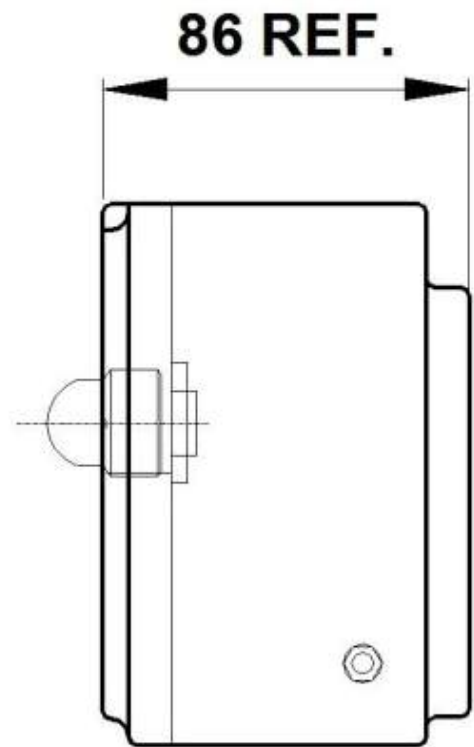
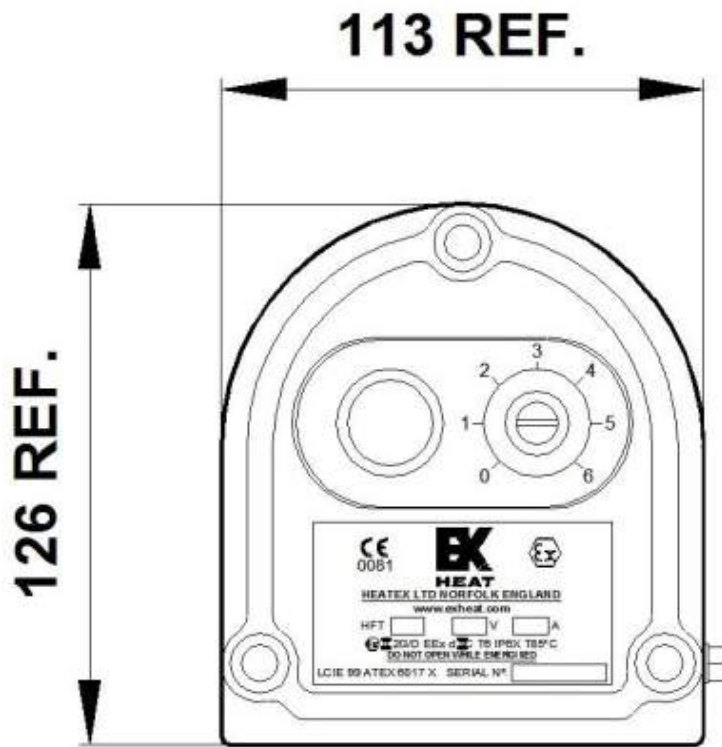
AFT Flameproof Air / Process Sensing Thermostats

EXHEAT Industrial's AFT thermostats are supplied in weatherproof or flameproof enclosures to complement our heaters. All thermostats are certified for use in hazardous areas where the atmosphere is classified as a Zone 1 or 2 (IIA, IIB, IIC) gas group. The AFT has an externally adjustable option, enabling quick and accurate variable control for air applications.



FEATURES

- Certified to ATEX, IECEx or CU TR (formerly GOST) standards
- Wall mounted
- Suitable for ambient temperatures from -60°C to +60°C
- Lightweight cast aluminium enclosure certified weatherproof to IP6X



Certification

ATEX / IECEx Ex II 2 G/D
 Ex d IIC T6 Gb (Gas)
 Ex t IIIC T85°C Db (Dust) IP6X
 CU TR (formerly GOST)

Enclosure

Cast aluminium alloy with a maximum of two cable entries and external and internal earths

Controls

Choice of control range to suit process application

Mounting

Any threaded boss or flange in any material can be specified within the limits of the design parameters

Voltage

20A on 250VAC in a choice of switching configurations