

Gabarrón

CALDERAS ELÉCTRICAS ELECTRICAL BOILERS



MODELO CPE **MODEL CPE**

INSTRUCCIONES DE INSTALACIÓN Y USO INSTALLATION INSTRUCTIONS AND USER GUIDE

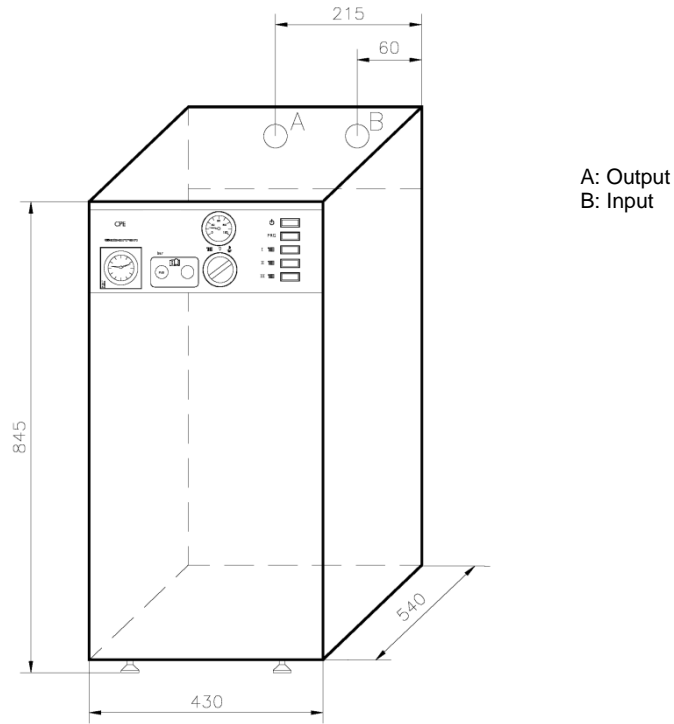
*Lea estas instrucciones atentamente antes de instalar o utilizar el aparato por primera vez
Please read these instructions before installing or using this appliance for the first time*

INSTALLATION INSTRUCTIONS AND USER GUIDE

1. - IMPORTANT *Please read these instructions before installing or using this appliance for the first time.*

- The warranty of the boiler will not cover any damage caused by non observance of any of these instructions.
- This Guide must be kept and given to any new owner.
- The use of these boilers is forbidden in any area where there is a presence of gases, explosives or inflammable objects.
- Do not cover this boiler at any time.
- It is essential that at no time are the air outlets covered.
- Check that the voltage shown on the rating plate on the boiler is the same as the voltage of the supply to which connection is to be made.
- This boiler must be connected to the supply by fixed wiring. The supply circuit to the boiler must incorporate an isolating switch having a contact separation of at least 3 mm.
- The appliance must be installed in such a way that switches and other control devices cannot be touched by a person using a bath or shower.
- The installation must be carried out in accordance with the current electrical regulations. Any installation should be carried out by trained personnel.
- This boiler must be earthed.
- Do not forget to disconnect the boiler from the supply before carrying out any work inside the boiler.
- To maintain stability, it is essential that the boiler is placed on a level surface and care should be taken to avoid irregular surfaces, such as may result from carpets or tiled surrounds partially protruding under the boiler.
- The hydraulic connections should be done respecting the “output” “input” marking on the b.
- It is required a filling valve to be installed close to the boiler.
- A drain valve should be installed at the lowest point of the installation.
- The radiators need purging at the highest points of the installation.
- It is important the pressure relief valve is allowed to drain into the sink or suitable pipe.
- Check that the supplied boiler is the correct model and that it is in good condition.
- This boiler can be controlled by an external ambient thermostat. Remove the wiring bridge from the internal connector and replace it with the thermostat wiring.
- 1.16 Install the boiler in such a way the maintenance and repairing works could be easily made.

OVERVIEW



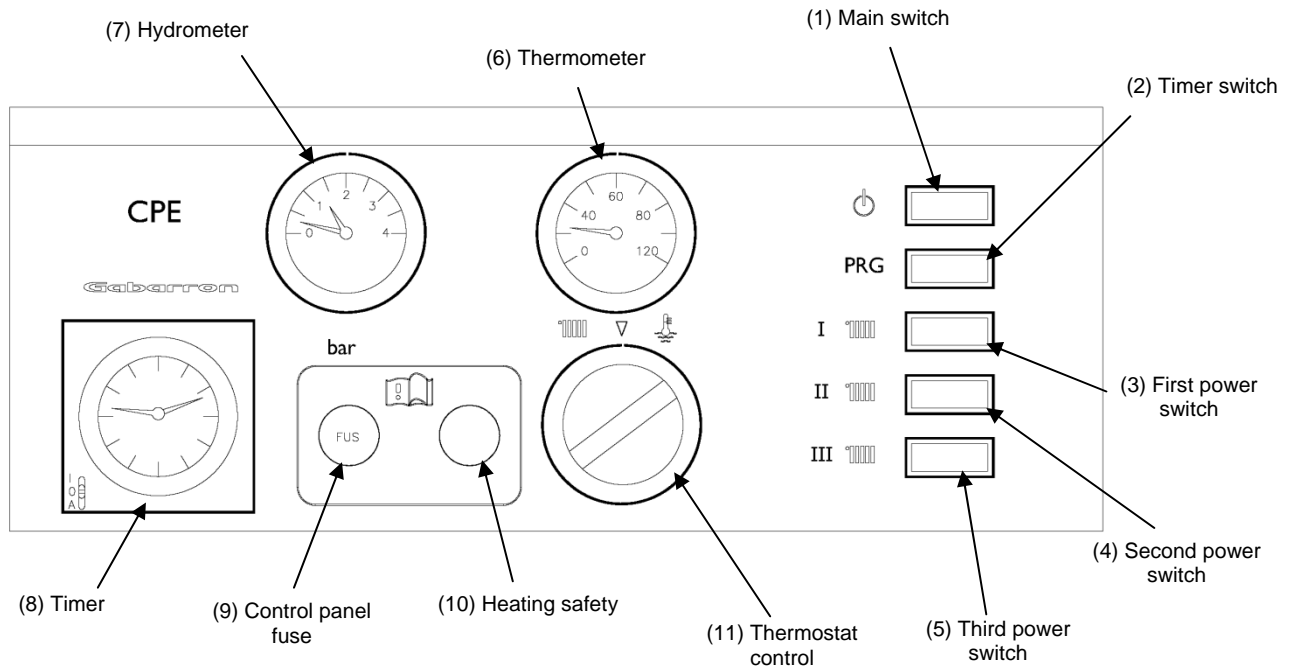
- Large capacity boiler (40 litres).
- Electrical panel incorporated.
- Three heat outputs.

Input	kcal/h	Voltage	Pipe size	Weight
24 kW	20.640	3x400V+N~	1 1/4"	76 kg
27 kW	23.220	3x400V+N~	1 1/4"	76 kg
30 kW	25.800	3x400V+N~	1 1/4"	76 kg
33 kW	28.380	3x400V+N~	1 1/4"	76 kg
36 kW	30.960	3x400V+N~	1 1/4"	76 kg
39 kW	33.540	3x400V+N~	1 1/4"	76 kg
42 kW	36.120	3x400V+N~	1 1/4"	76 kg
45 kW	38.700	3x400V+N~	1 1/4"	76 kg
48 kW	41.280	3x400V+N~	1 1/4"	76 kg
51 kW	43.860	3x400V+N~	1 1/4"	76 kg
54 kW	46.440	3x400V+N~	1 1/4"	76 kg

2.- GETTING STARTED

- Check that all drains are closed.
- Open the filling tap until the hydrometer (7) shows 1 kg/cm².
- Open and close all the purging valves as soon as the water flows.
- Set the thermostat control (11) to minimum and be sure that the pump works normally.
- Open the purging valves again if needed.
- Open the filling tap until the hydrometer (7) shows 1.5 kg/cm².
- Connect the main switch (1), the thermostat control and the switch (3) to start the heater.

3. - CONTROL PANEL LAYOUT



4. - USING THE BOILER

- Be sure to keep the indicated pressure on the hydrometer (6) around 1.5 kg/cm².
- Turn on the boiler by pressing the main switch (1).
- Select TIMER or NON TIMER mode by pressing the TIMER switch (2).

NON TIMER MODE:

- Switch on the First power switch (3) you will hear then the pump moving the water. As long as this luminous switch remains lit it means the first power is generating heat. The radiators need purging at the highest points of the installation.
- Switch on the switches (4) and (5) if the total power is required. These switches require the switch (3) to be on, to operate.
- Set the thermostat control (11) to the maximum position.
- Once the required temperature is reached in the thermometer (6) turn the thermostat control anti-clockwise until the luminous indicators of switches (3), (4) and (5) are off. The temperature will be then automatically maintained.
- This boiler can be controlled by an external ambient thermostat (not included). This device will switch on and off the power elements maintaining the ambient temperature.

TIMER MODE:

- Set the timer by rotating the dial clockwise until the correct time is indicated opposite the datum mark.
- Pull the appropriate segments out to set the desired programme. Each segment represents 15 minutes. This programme will repeat itself every day. The timer may be set to give as many "on" periods of any length as may be required.
- The small red switch in the timer means: "A" automatic mode, "0" Always off, "1" always on.

5. - SAFETY

The boiler includes safety devices as follows:

- Flow switch. It avoids the power elements to connect in the case the water is not flowing properly.
- Overpressure valve. Should the pressure exceed 3 kg/cm² it will drain water.
- Heating safety limiter. Should the heating temperature arise over 100°C it will disconnect the heating elements. Once the cause of the overheating is cleared (see troubleshooting section) press the pin under the black cover at (10) when the boiler cools down.
- Should the boiler be disconnected when the heating elements are on, the thermal inertia could overheat the heating tank. To avoid this, the pump will remain on even in the case the boiler is off (only when the thermostats (11) "ask" for heat). For this reason it is highly recommended to disconnect the boiler by means of its switch instead of the main electrical protections. In this case do not set the thermostat (11) set to the minimum because the pump will be always running.

6. - MAINTENANCE

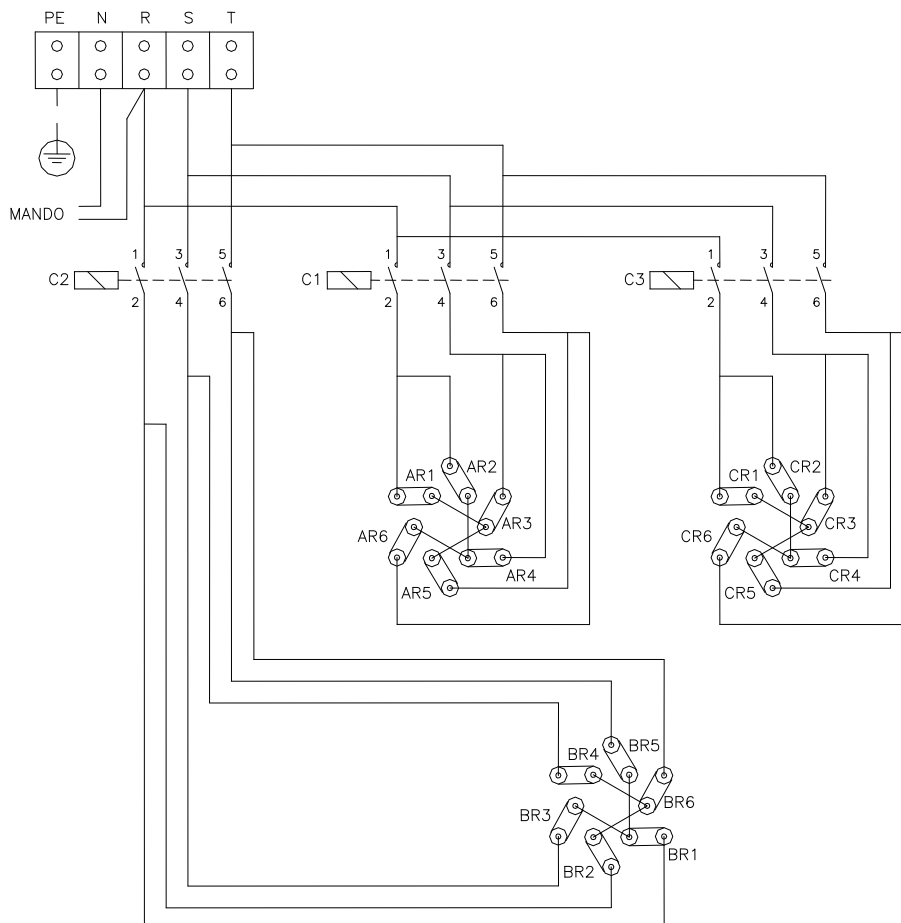
- Clean with a dry, soft cloth only when the unit is disconnected and cold. Do not use solvents or abrasive products for cleaning.
- Check periodically that the pressure in the hydrometer (7) is close to 1.5 kg/cm².
- Never switch on an empty boiler.
- Before carrying out any work inside the appliance, the boiler must be disconnected from the electricity supply.
- If necessary up to a 30% of propylene glycol anti freeze can be added to the installation.
- It is recommended to connect periodically the pump (i.e. by setting the thermostat control (10) to the minimum) in order to avoid pump blocking.

7.- TROUBLESHOOTING

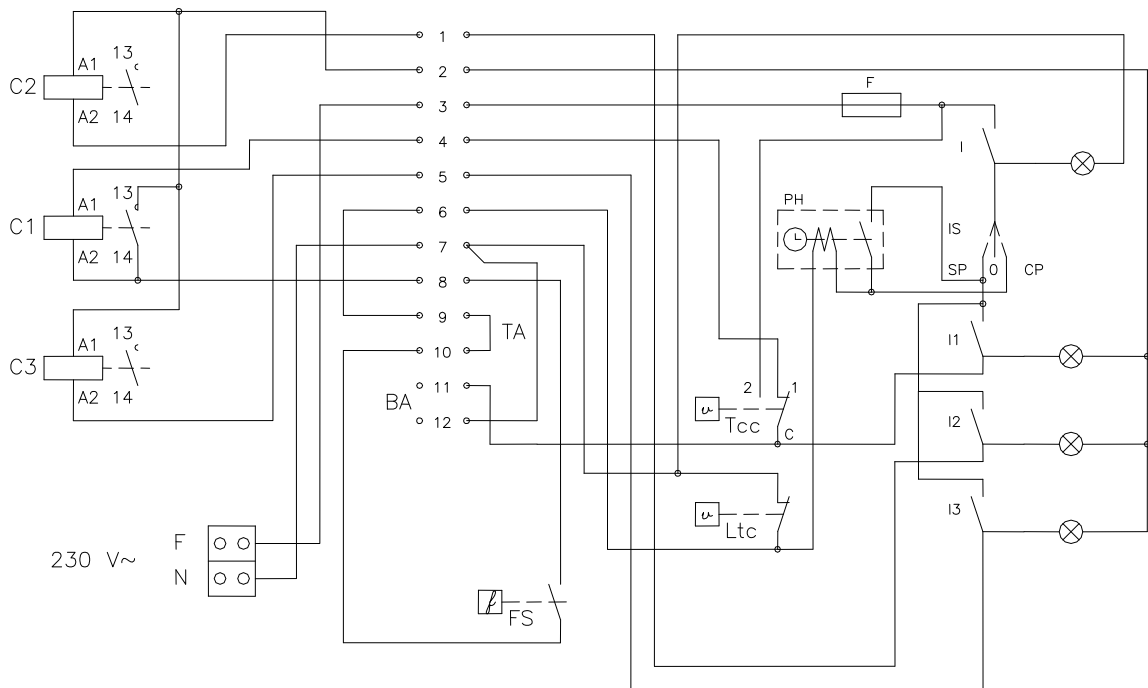
Main switch (1) is not lit at any time	- Melted fuse - No supply	- Replace - Check de electricity supply
The boiler is on but radiators are cold. (Heating safety limiter acted)	- Blocked pump - Air inside de installation - Closed valves at the radiators	- unblock the pump - Purging - Open the valves
Low temperature in the installation	- Thermostat control (10) is set too low - Broken heating elements - Wrong power calculation	- Adjust - Replace - Increase the power
Main luminous switch is on but First power switch (3) does not come on	- Water is not flowing Flow switch remains OFF - Acted safety limiter - Thermostat control (10) is set too low - External timer or thermostat is off.	- Purging. Unblock the pump if necessary - Press the pin under the black cover at (10) - Adjust
Noisy installation	- Air inside the pump - Low pressure - Pump working at high speed	- purge the pump - Increase pressure up to 1.5 kg/cm2 - Shift to a slower speed
Overpressure valve drains water	- Very high pressure - Broken expansion vessel	- Set pressure to 1.5 kg/cm2 - Replace

ESQUEMAS - WIRING

3X 400V +N ~



	AR1	AR2	AR3	AR4	AR5	AR6	BR1	BR2	BR3	BR4	BR5	BR6	CR1	CR2	CR3	CR4	CR5	CR6
24 kW	3kW	-	3kW	-	3kW	-	3kW	-	3kW	-	3kW	-	-	2kW	-	2kW	-	2kW
27 kW	3kW	-	3kW	-	3kW	-	3kW	-	3kW	-	3kW	-	3kW	-	3kW	-	3kW	-
30 kW	3kW	2kW	3kW	2kW	3kW	2kW	3kW	-	3kW	-	3kW	-	-	2kW	-	2kW	-	2kW
33 kW	3kW	2kW	3kW	2kW	3kW	2kW	3kW	-	3kW	-	3kW	-	3kW	-	3kW	-	3kW	-
36 kW	3kW	2kW	3kW	2kW	3kW	2kW	3kW	2kW	3kW	2kW	3kW	2kW	-	2kW	-	2kW	-	2kW
39 kW	3kW	2kW	3kW	2kW	3kW	2kW	3kW	2kW	3kW	2kW	3kW	2kW	3kW	-	3kW	-	3kW	-
42 kW	3kW	3kW	3kW	3kW	3kW	3kW	3kW	2kW	3kW	2kW	3kW	2kW	3kW	-	3kW	-	3kW	-
45 kW	3kW	2kW	3kW	2kW	3kW	2kW	3kW	2kW	3kW	2kW	3kW	2kW	3kW	2kW	3kW	2kW	3kW	2kW
48 kW	3kW	3kW	3kW	3kW	3kW	3kW	3kW	2kW	3kW	2kW	3kW	2kW	3kW	2kW	3kW	2kW	3kW	2kW
51 kW	3kW	3kW	3kW	3kW	3kW	3kW	3kW	3kW	3kW	3kW	3kW	3kW	3kW	2kW	3kW	2kW	3kW	2kW
54 kW	3kW	3kW	3kW	3kW	3kW	3kW	3kW	3kW	3kW	3kW	3kW	3kW	3kW	3kW	3kW	3kW	3kW	3kW



- F Fusible
- I Interruptor general
- IS Selector programador
- I1 Interruptor 1ª potencia
- I2 Interruptor 2ª potencia
- I3 Interruptor 3ª potencia
- PH Programador horario
- FS Interruptor de flujo
- Tcc Termostato control calefacción
- BA Bomba aceleradora
- TA Termostato de ambiente (no incluido)
- C1 Contactor 1º potencia
- C2 Contactor 2ª potencia
- C3 Contactor 3ª potencia
- Ltc Limitador temperature calefacción

- F Fuse
- I Main switch
- IS Timer switch
- I1 1st power switch
- I2 2nd power switch
- I3 3th power switch
- PH Timer
- FS Flow switch
- Tcc Thermostat control
- BA Pump
- TA Ambient thermostat (not included)
- C1 1st power relay
- C2 2nd power relay
- C3 3th power relay
- Ltc Heating safety

NOTAS

ESP



El símbolo en el producto o en su embalaje indica que este producto no se puede tratar como desecho normales del hogar. Este producto se debe entregar al punto de recolección de equipos eléctricos y electrónicos para reciclaje. Al asegurarse de que este producto se deseché correctamente usted ayudará a evitar posibles consecuencias negativas para el ambiente y la salud pública, lo cual podría ocurrir si este producto no se manipula de forma adecuada. Para obtener información más detallada sobre el reciclaje de este producto, póngase en contacto con la administración de su ciudad, con su servicio de desechos del hogar o con la tienda donde compró el producto.
Estas disposiciones solamente son válidas en los países miembros de la UE.

ENG



The symbol on the product or in its packaging indicates that this product may not be treated as household waste. Instead it shall be handed over to the applicable collection point for the recycling of electrical and electronic equipment. By ensuring this product is disposed of correctly, you will help prevent potential negative consequences for the environment and human health, which could otherwise be caused by inappropriate waste handling of this product. For more detailed information about recycling of this product, please contact your local city office, your household waste disposal service or the shop where you purchased the product. These instructions are only valid in the EU member states.

Gabarrón

Fabricado por ELNUR s.a.
Travesía de Villa Esther, 11
28110 Algete (MADRID)
Tf. de atención al cliente: **902 19 57 14**

